



NG ATTACHMENTS-NUR GROUP COMPANY

Producer: NG ATTACHMENTS





Ostim Osb 1271 St. Nb:16
Yenimahalle-Ankara-TURKEY
Tel: +90-312-4406034
Fax: +90-312-4406076

Web : www.ngattachments.com
info@nurgroup.com.tr
e-mail : export@nurgroup.com.tr

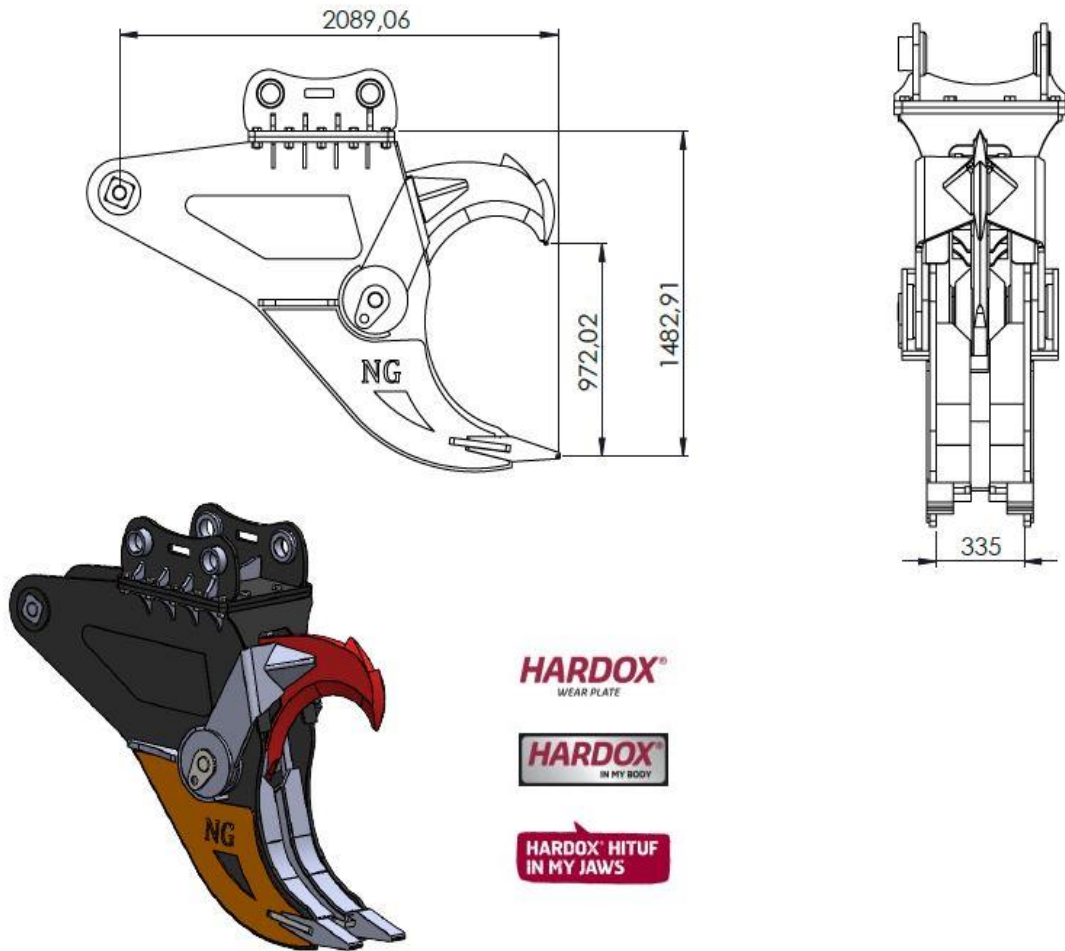
NG STUMP SHEAR

DESCRIPTION

Reduces the size of the stump after having extracted it, it makes the resulting material suitable for the transformation phases (chipping, shredding, biomass) and it favors the drying by exploiting the natural process.

-  **Weight:1260 kg**
-  **Excavator Ton: 20-30 T**
-  **Jaw Opening : 976 mm**
-  **Rotating:No Return**
- **Jaw:Hardox 450 Material**





NG1300 STUMP SHEARS

<i>Jaw Open (mm)</i>	972 mm
<i>Cutting Force(Ton)</i>	84 TON
<i>Weight:(kg)</i>	1260 KG
<i>(Liter/min.)</i>	120-250 L
<i>Pressure (psi):</i>	240-280 Bar